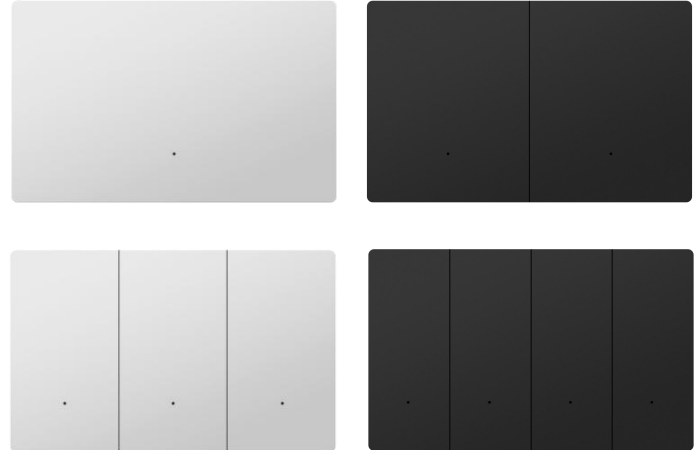


### Product Introduction

This switch features high-quality frosted glass material with an elegant appearance and a delicate touch that is fingerprint-resistant, perfectly integrating into modern home design. It connects to the gateway via the standard Zigbee protocol, ensuring stable and efficient data transmission. Whether used for remote control or automation scenes setup, the keypad panel delivers instant response, greatly enhancing the convenience and efficiency.

### Features

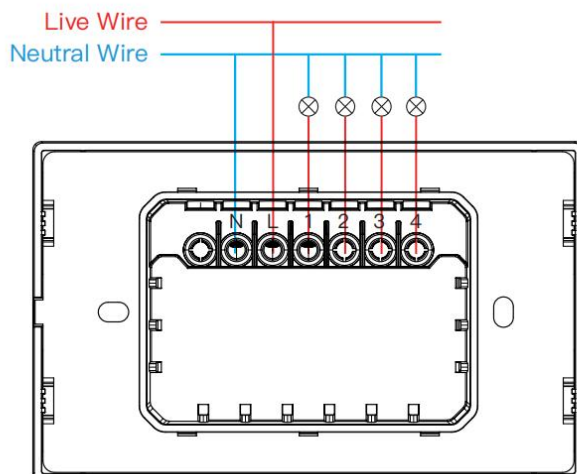
- Frosted glass material with a delicate touch and fingerprint-resistant.
- Available 1 to 4 relay options to suit various needs
- Powerful ZigBee transceiving capability, with repeater Function
- Supports Belahome APP and HyPanel control



### Specification

- Product Models: ZBG4-R1-US、ZBG4-R2-US、ZBG4-R3-US、ZBG4-R4-US
- Input Voltage: 110~240VAC, 50/60Hz
- Rated Current: 16A (Max)
- Communication Method: ZigBee
- Load Limits: Max 700W per channel(Resistive load)  
Max 300W per channel(LED load)
- Working Temperature: - 10 ~ 55°C
- Working Humidity: ≤95%RH (non-condensing)
- Product Size: 117.7x72.7x36.4mm
- Colors: White/Black

## Wiring Diagram



## Networking Method

1. Connect the power cord correctly according to the wiring diagram to power the device;
2. Press and hold any button for about 10 seconds, the device's indicator light flashes quickly, indicating it has entered the network pairing mode;
3. Add the device to the network through a gateway device.

## Product Dimension Diagram (mm)

